

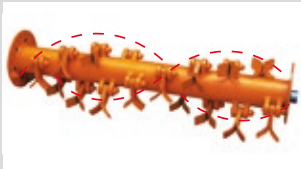
HP 84 available to the rotor
HP 90 max to hydraulic motor

FERRI®

TKD

**HYDRAULIC REACH MOWERS
"PARALLELOGRAM"
(PISTON MOTOR IN CLOSED CIRCUIT)**

GROUP A



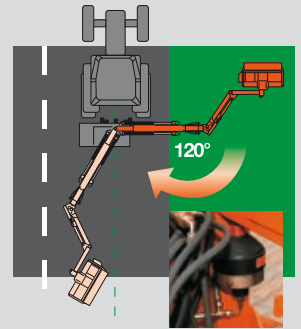
"Overlap" spiral rotor with two spiral rows



Toothed belt drive



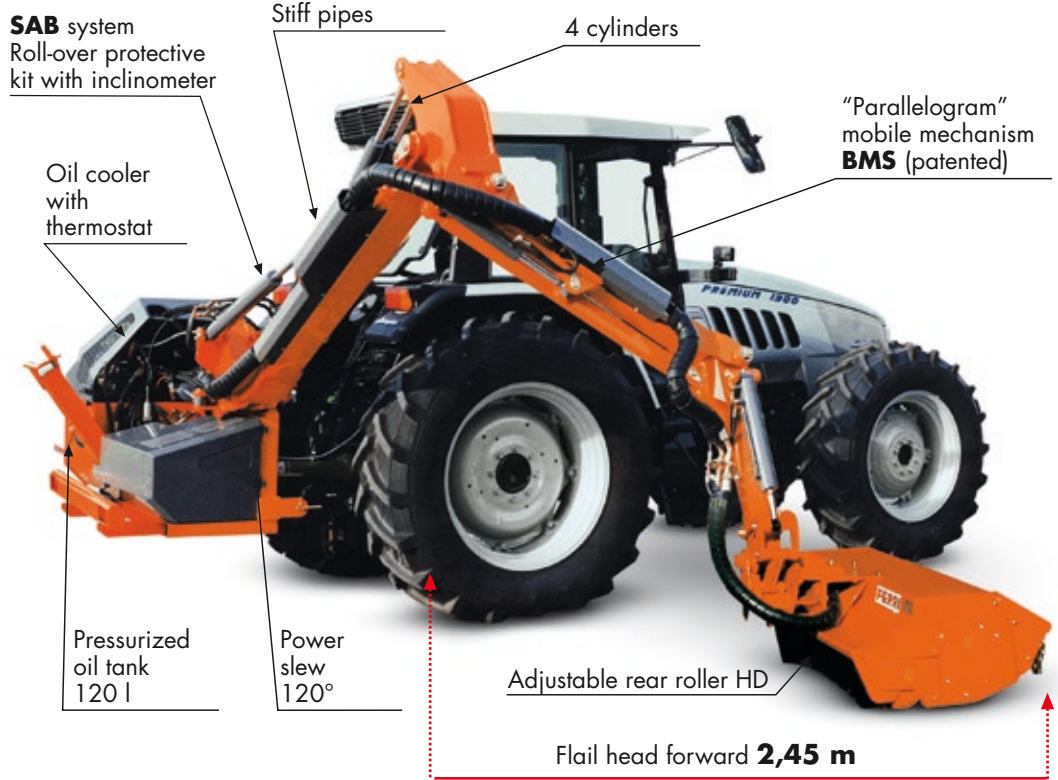
Flail head are built with an exceptionally strong frame



Hydraulic break-back with accumulator controlled autoreset facility (SRA)




Four cylinders placed on arms



advance Tronic IS

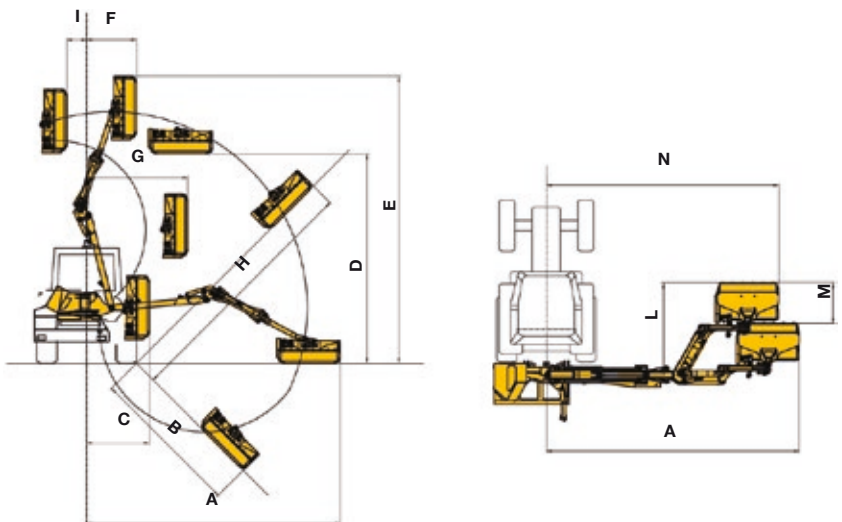
Electronic proportional controls Load Sensing



HP Tractor 	110	120	130	Min. tractor weight ** Kg	Min. tractor width ** m
TKD560 Eagle				4600	2,40

Working positions (m)

		THD520 Eagle
A	m	6,10
B	m	3,77
C	m	1,44
D	m	4,86
E	m	6,81
F	m	1,11
G	m	1,77
H	m	6,02
I	m	0,55
L	m	2,45
M	m	1,09
N	m	5,59



Technical data

Model	Max horizontal reach*	Flail head forward	Weight	Oil	Rotor	Pto	Flail head angle
	m	m	Kg	l	Rpm	MAX Rpm	
TKD560 Eagle	5,59 - 6,10	2,45	1.755	120	3.000	1000	235°

* Reach measured from tractor centre line to head edge.

FERRI®



Machines with electronic proportional controls "Advance Tronic" with Load Sensing

Model

TKD 560 Eagle Advance Tronic with flail head TNP125 m 1,25

Completing equipment to the base machine

WARNING: due to the high offset loads on the linkages it **is necessary** to fit two stabilizers

Stabilizers to the tractor (cod. TK8005/06)

Fixed linkage to be adapted to the tractor top link area (cod. ATT/4)


Stabilizers for fixed linkage (cod. TK8005/06)

Option

Universal rear axle rigid system (cod. ARK200)

Axle plates kit for universal rigid system depending on tractors models

Flail head TNP1600

With articulated cutting tools ONLY 

Flail head

	TNP125	TNP1600
Width (m)	1,25	1,60
Rotor speed (rpm)	3000	3250
Blade tip speed (m/sec)	60	60
Flail head angle	235°	235°
Weight (Kg)	376	380



TNP125
Toothed belt drive








TNP1600
Toothed belt drive 

Equipped with:

- Flail head
- Load Sensing
- EFS electronic floating system through potentiometer
- Flail head bracket
- Lift float (LFA electric)
- Oil cooler with thermostat
- Power slew 120°
- Hydraulic back-back with accumulator controlled autoreset facility (PSS)
- Roll-over protective with inclinometer "SAB".
- Reversible rotor electric control "DSR"
- Toothed belt drive
- Adjustable rear roller HD with screwed edges
- Rotor fitted with balance plates at each end
- Piston motor in closed circuit (Sauer)
- Automatic return breakaway system "SRA"
- Bumpers with illumination system
- Front and rear abrasion resistant guard for flail head
- Oil and pto shaft

Flails TNP125

Interchangeable on the same rotor		Interchangeable on the same rotor		Specific rotor
Multiuse and straight flails for: grass, bushes, shrubs, sticks, wood Ø max 4 cm	"T" Hammer blades for wood Ø max 5 cm	Articulated and straight flails for: grass, sticks, shrubs Ø max 2,5 cm	Hedge trimming blades for: grass, hedges Ø max 1 cm	Touring blades for wood Ø max. 8 cm
				
Cod. 0901003 Cod. 0901148	Cod. 0901141	Cod. 0901068	Cod. 0901139	Cod. 0901201
n° 44 + 22	n° 22	n° 60 + 30	n° 30	n° 18

Warning

IT IS RECOMMENDED that the connection between tractor and shredder and its setting up should be made with the Dealer according the instructions and warnings listed on our Use and Maintenance Manual. For further information please contact our after sales service.